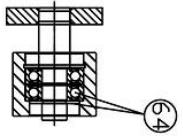
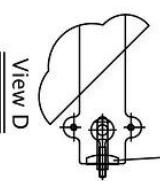


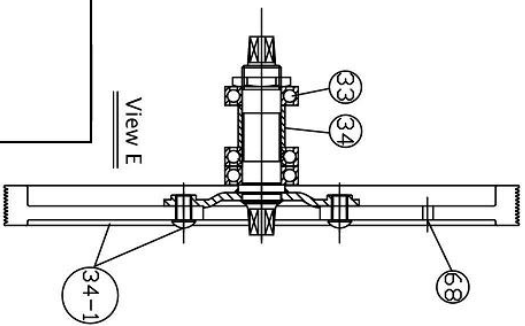
View A



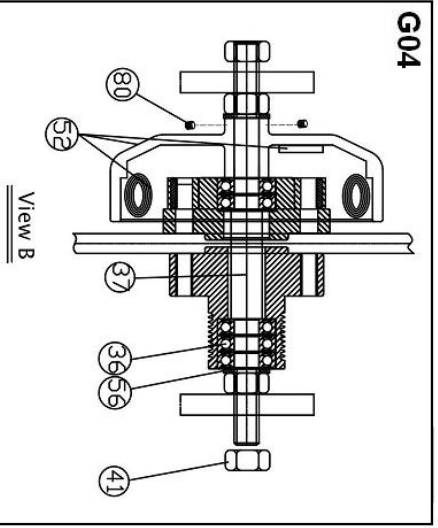
View C



View D



View E



View B

